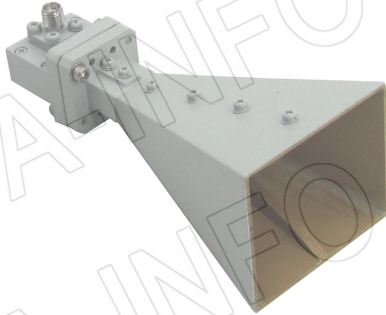


For reference only. See data sheet for the detailed specifications.

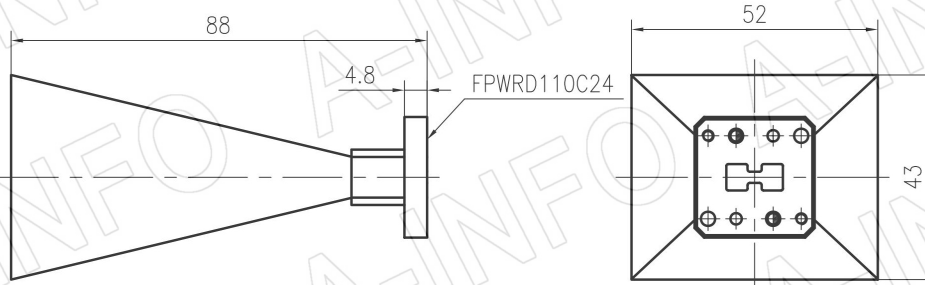
Technical Specification



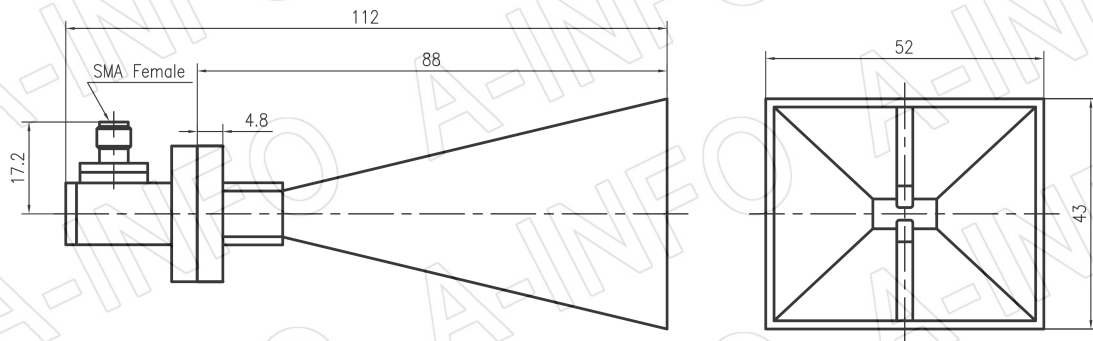
Frequency Range(GHz)	11.0 – 26.5
Gain(dBi)	15 Typ.
Polarization	Linear
3dB Beamwidth(deg)	E Plane: 31 - 16
	H Plane: 34 - 16
Cross Pol. Isolation(dB)	30 Typ.
VSWR	1.5:1 Typ.
Output	A Type: FPWRD110C24
	C Type: SMA-Female
Power Handling(W CW)	50 Max.
Material	Al
Finish	Gold Plated and Chemical Conversion Coating, Gray Paint
Size(mm)	A Type: 52 x 43 x 88
	C Type: 52 x 43 x 112
Net Weight(Kg)	A Type: 0.10 Around
	C Type: 0.15 Around

Outline Drawing (Size: mm)

FPWRD110C24 Output (P/N: LB-110265-15-A)



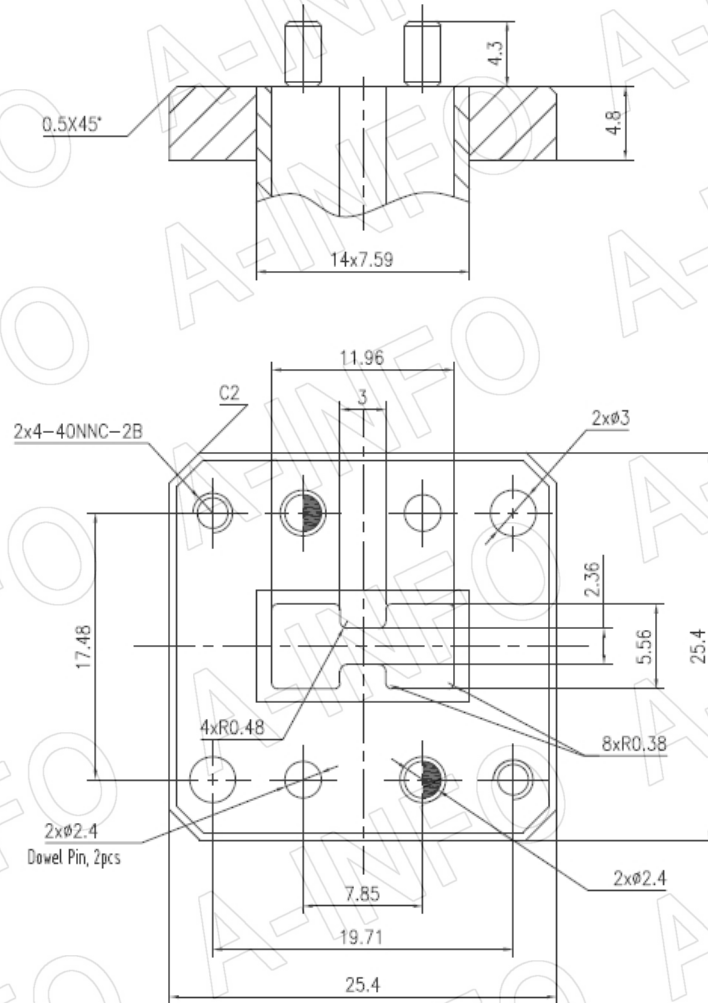
SMA-Female Output (P/N: LB-110265-15-C-SF)



Flange Drawing (Size: mm)

FPWRD110C24

(With two through mounting holes
and two screws holes)



AINFO Inc.

China(Beijing): Tel: (+86) 10-6266-7326,
China(Chengdu): Tel: (+86) 28-8519-2786,
USA: Tel: (+1) 949-639-9688,

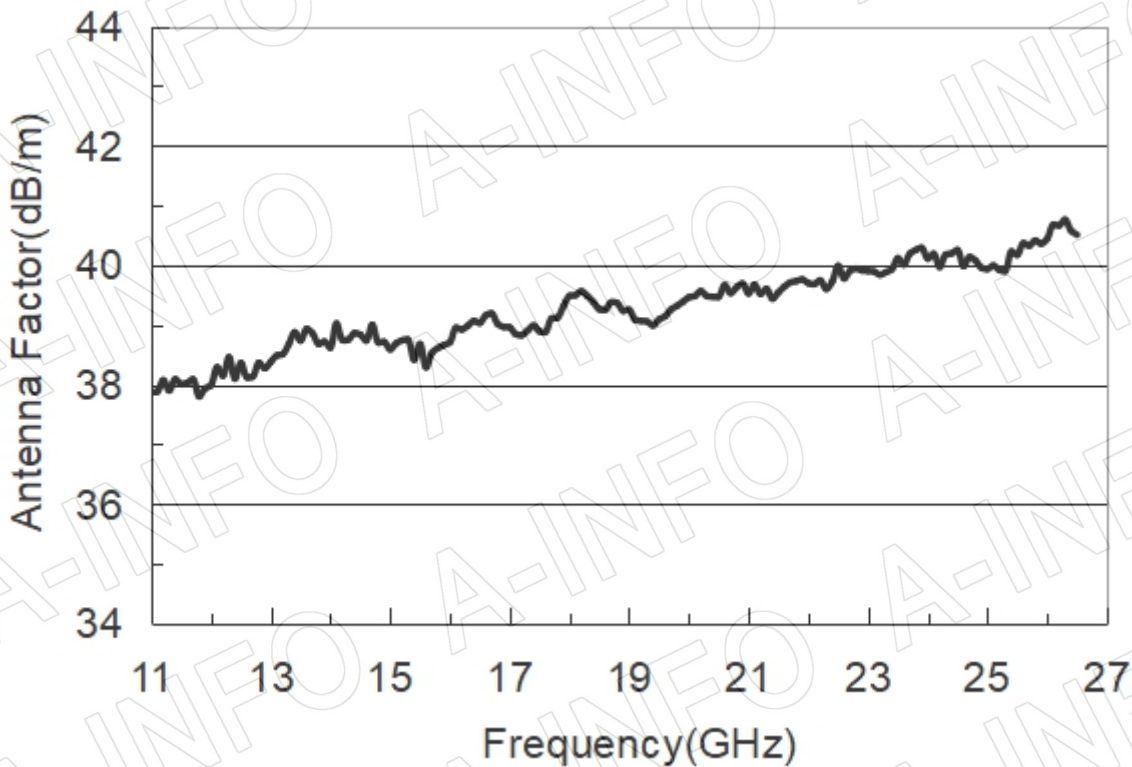
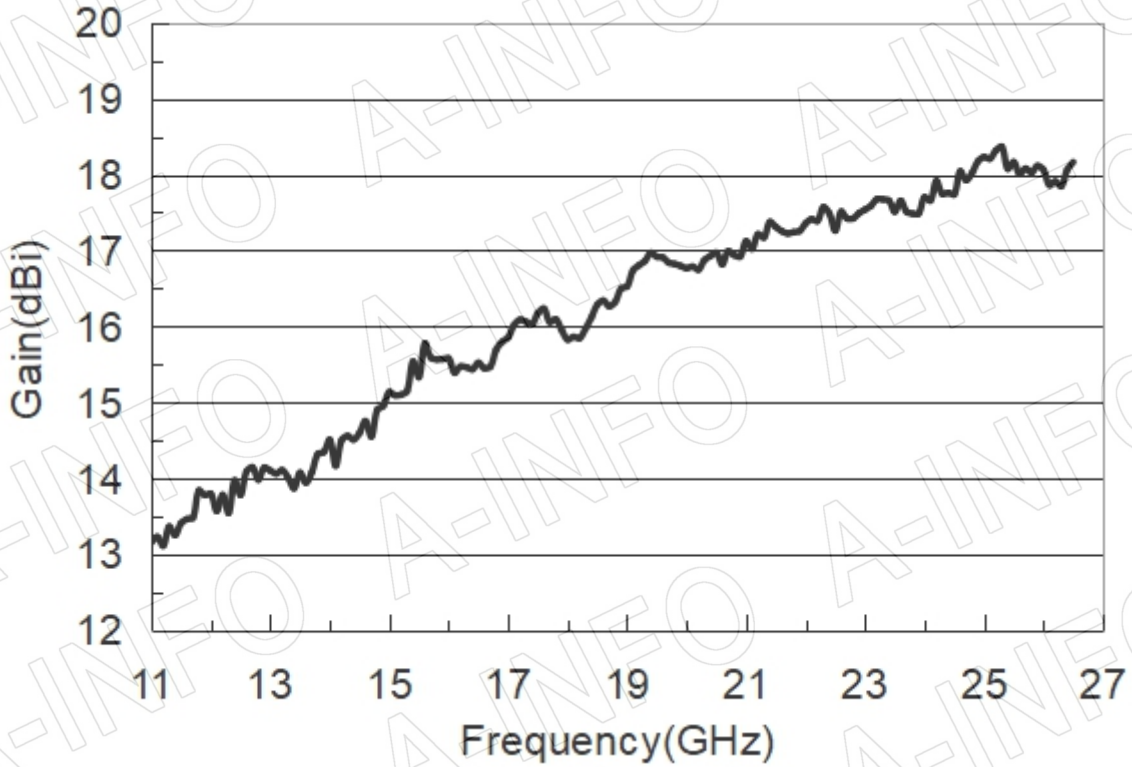
Page 2 of 10

(+86) 10-6266-7327 Fax: (+86) 10-6266-7379
(+86) 28-8519-3044 Fax: (+86) 28-8519-3068
(+1) 949-639-9608 Fax: (+1) 949-639-9670

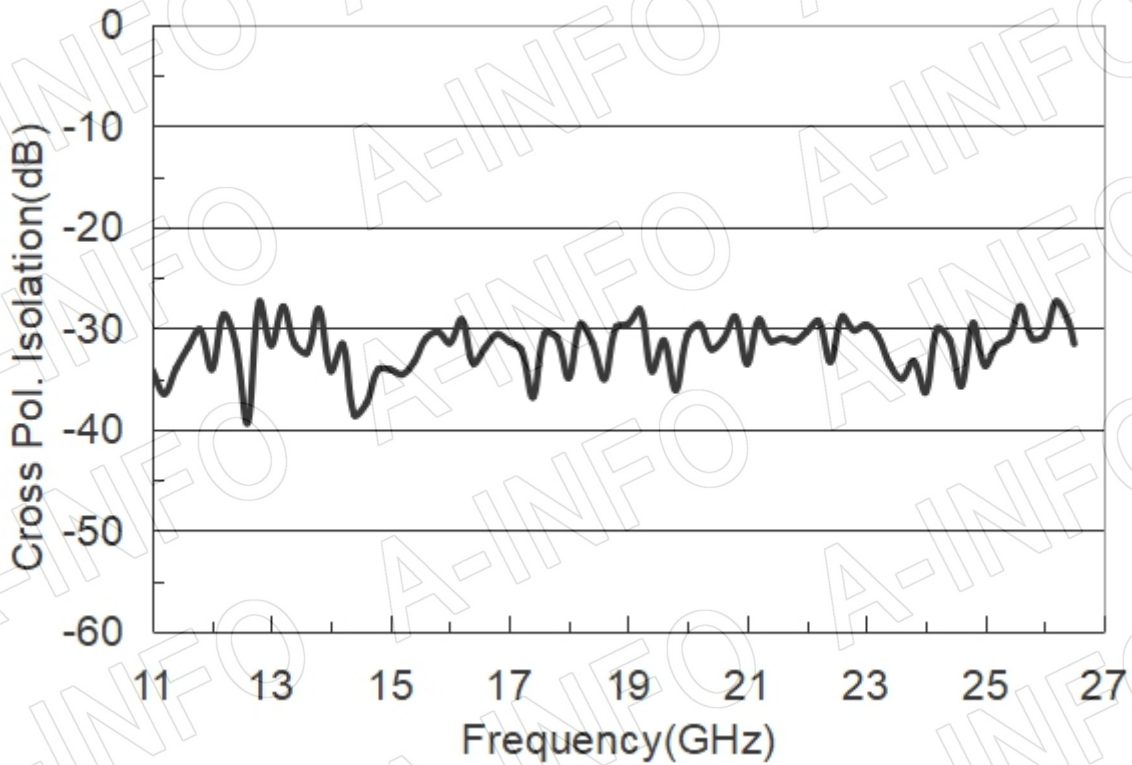
Website: www.ainfoinc.com
Email: sales@ainfoinc.com

Test Results

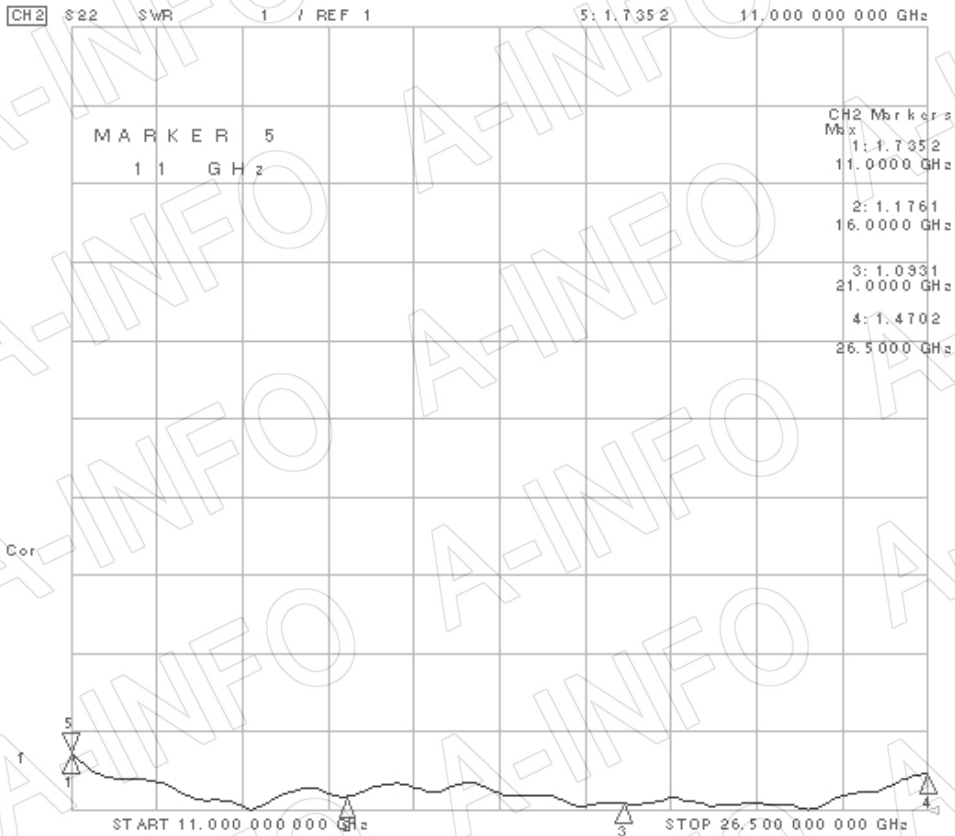
1. Gain & Antenna Factor



2. Cross Polarization Isolation



3. VSWR



4. Pattern

